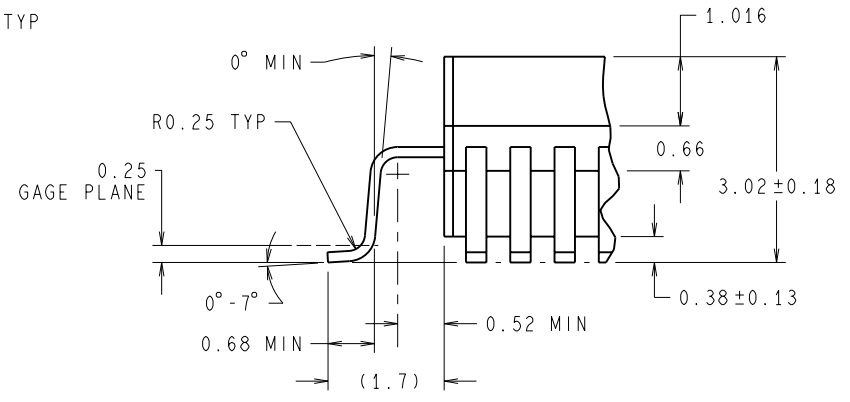
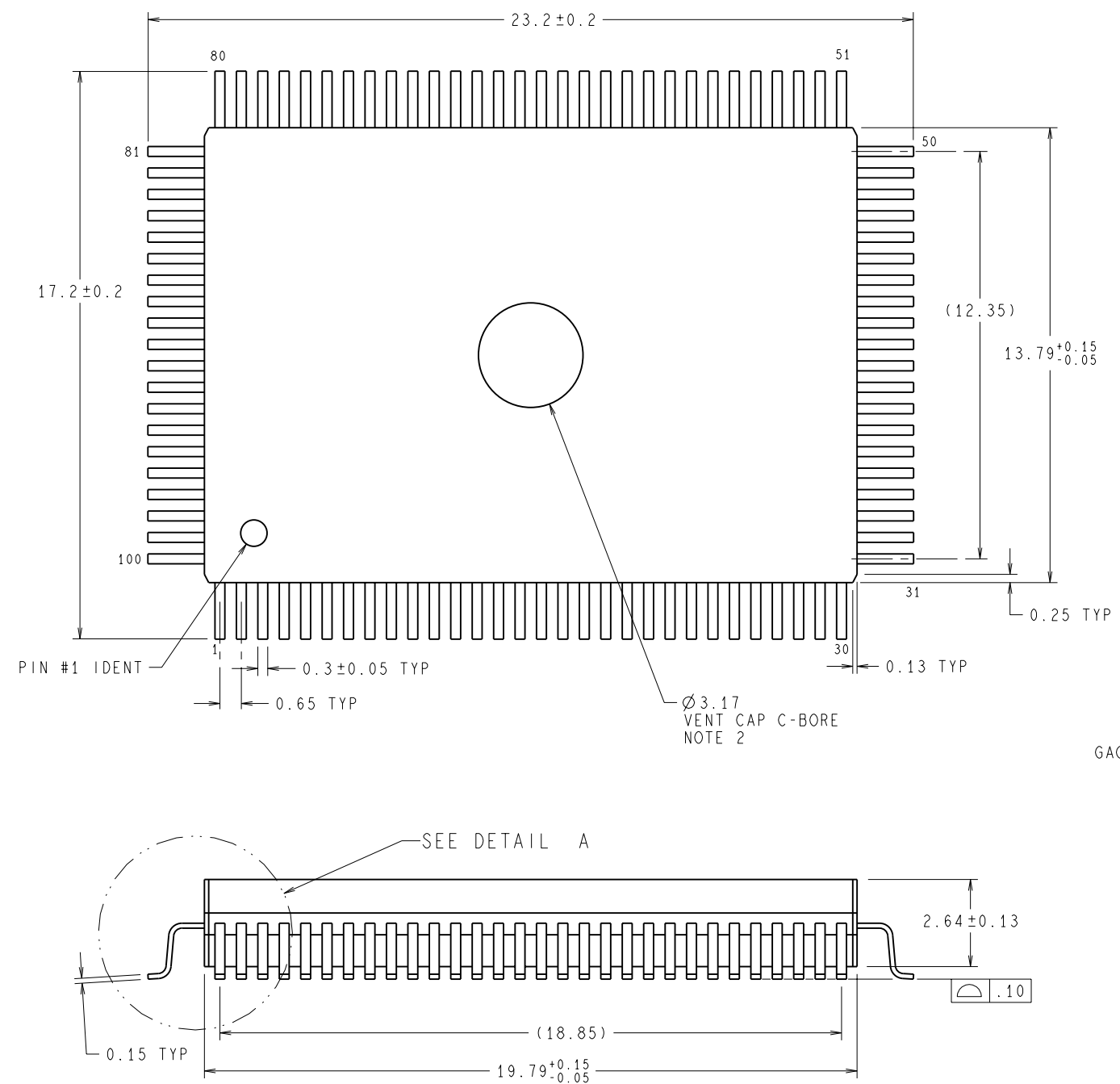


REVISIONS				
LTR	DESCRIPTION	E.C.N.	DATE	BY/APP'D
B	REVISE AND REDRAW PER NEW STANDARD.	11183	12/15/95	DEG/



DETAIL A
TYP, SCALE: 15X
NOTE 2

DIMENSIONS ARE IN MILLIMETERS

- NOTES: UNLESS OTHERWISE SPECIFIED.
- STANDARD LEAD FINISH: 5.08 MICROMETERS MINIMUM SOLDER PLATING (85/15) THICKNESS.
 - THE LEADS CAN BE FORMED FOR CAVITY UP OR DOWN:
-THE VENT CAP WILL BE ON THE TOP FOR CAVITY UP (SHOWN)
-THE VENT CAP WILL BE ON THE BOTTOM FOR CAVITY DOWN
 - REFERENCE: OLIN DRAWING M100MK-100-2X, REV D, DATED MAY/11

APPROVALS	DATE	National Semiconductor			
DRAWN D. E. Grady	12/15/95	2900 Semiconductor dr., Santa Clara, CA 95052-8090			
DFTG. CHK.		MQAD, 14 X 20 X 2.65mm, 100 LEAD			
ENGR. CHK.					
PROJECTION		SCALE	SIZE	DRAWING NUMBER	REV
INCH [MM]		N/A	C	MKT-ACE100A	B
DO NOT SCALE DRAWING					SHEET 1 of 1