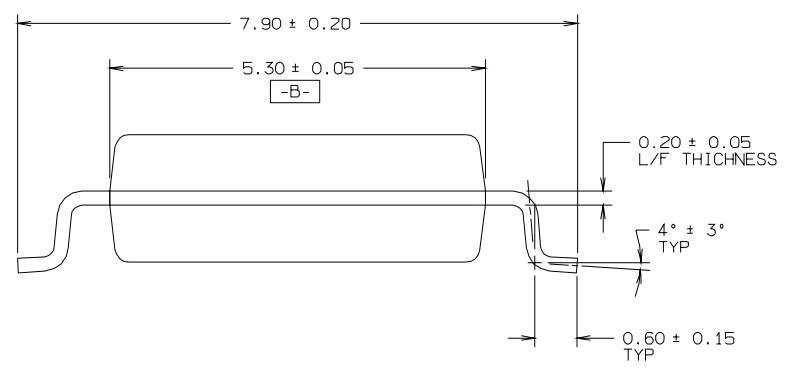
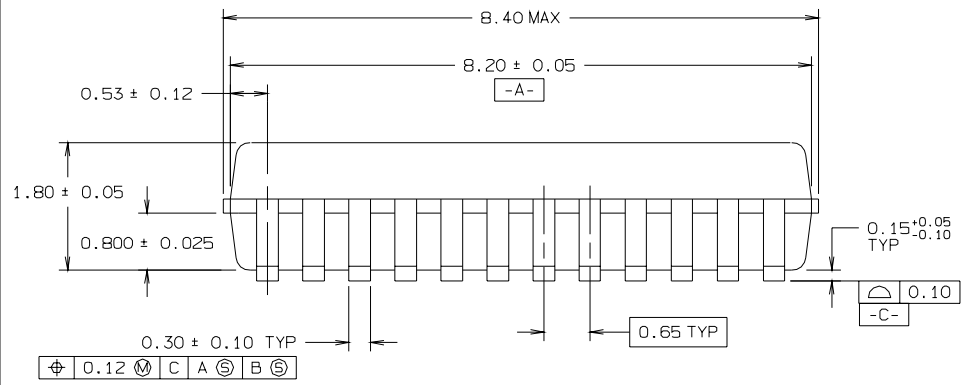
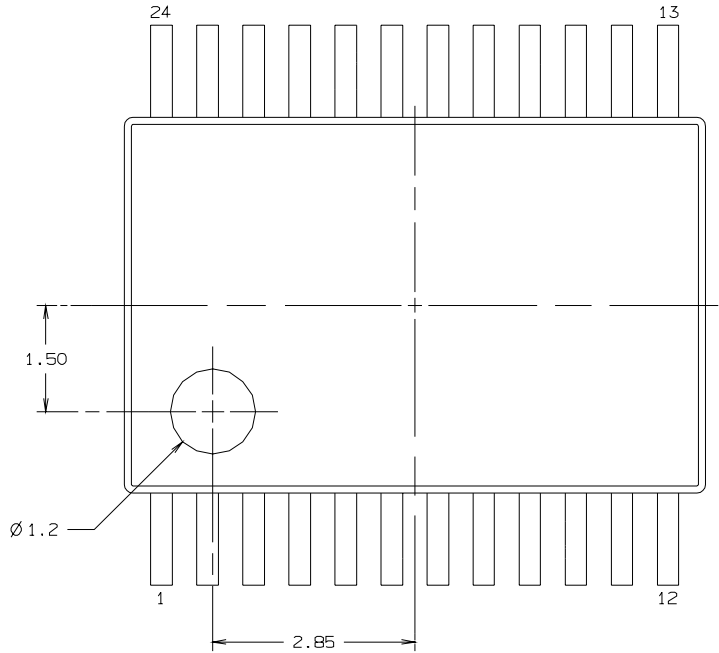


REVISIONS				
LTR	DESCRIPTION	E.C.N.	DATE	BY/APP'D
A	RELEASE TO DOCUMENT CONTROL	O9307	09/01/92	MS/



$0.30 \pm 0.10$  TYP  
 $\varnothing 0.12$  M C A B

$0.10$   
 -C-

DIMENSIONS ARE IN MILLIMETERS			
APPROVALS	DATE	NATIONAL SEMICONDUCTOR CORPORATION	
DRAWN MARTA SUCHY	09/01/92	2900 Semiconductor Drive, Santa Clara, CA 95052-8090	
DF TG. CHK.		MOLDED PACKAGE, SSOP, EIAJ TYPE II, 24 LEAD	
ENGR. CHK.			
APPROVAL			
PROJECTION	SCALE	SIZE	DRAWING NUMBER
	N/A	C	MKT-MSA24
	DO NOT SCALE DRAWING	SHEET	1 OF 1
		REV	A