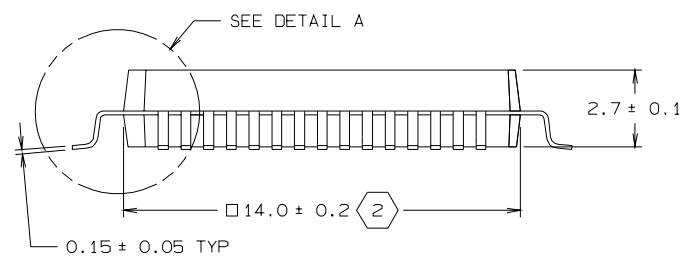
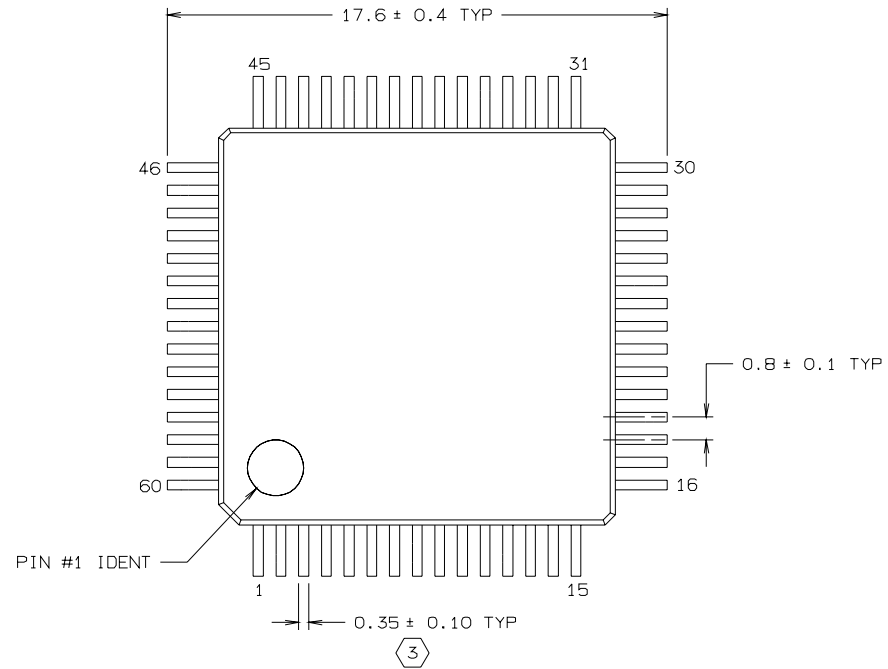
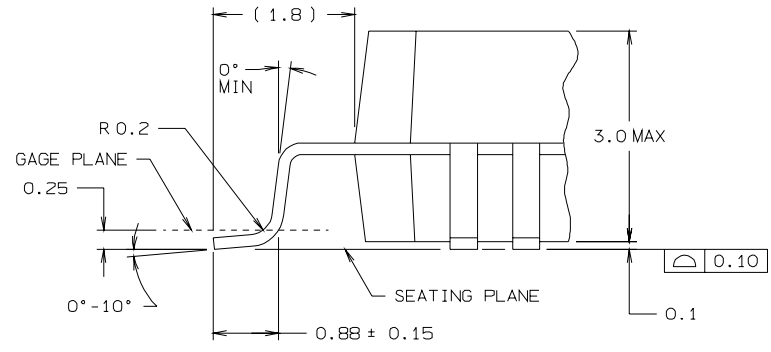


| REVISIONS | | | | |
|-----------|---|--------|----------|----------|
| LTR | DESCRIPTION | E.C.N. | DATE | BY/APP'D |
| A | RELEASE TO DOCUMENT CONTROL | 09296 | 08/25/92 | MS/HJK |
| B | ROTATE TOP VIEW 90°; UPDATE DWG PER THE LATEST STD; REVISE DETAIL A | 09976 | 12/15/93 | MS/ |



DIMENSIONS ARE IN MILLIMETERS



DETAIL A
TYPICAL

NOTES: UNLESS OTHERWISE SPECIFIED

- STANDARD LEAD FINISH:
5.08 MICROMETERS MINIMUM SOLDER PLATING (80/20)
THICKNESS ON ALLOY 42 / COPPER.
- DIMENSION DOES NOT INCLUDE MOLD PROTRUSION.
MAXIMUM ALLOWABLE MOLD PROTRUSION 0.25 mm PER SIDE.
- DIMENSION DOES NOT INCLUDE DAMBAR PROTRUSION.
ALLOWABLE DAMBAR PROTRUSION SHALL BE 0.15 mm.
- REFERENCE SEIKO EPSON QFP6-60 PIN, REV 4.

| | | | | | |
|----------------------|----------|--|--------------|----------------|-----|
| APPROVALS | DATE | NATIONAL SEMICONDUCTOR CORPORATION | | | |
| DRAWN MARTA SUCHY | 08/25/92 | 2900 Semiconductor Drive, Santa Clara, CA 95052-8090 | | | |
| DFTG. CHK. | | PQFP, (S), 14 X 14 X 2.7 mm, 60 LEAD | | | |
| ENGR. CHK. | | | | | |
| APPROVAL | | | | | |
| PROJECTION | | SCALE | SIZE | DRAWING NUMBER | REV |
| | | N/A | C | MKT-VJZ60A | B |
| DO NOT SCALE DRAWING | | | SHEET 1 OF 1 | | |