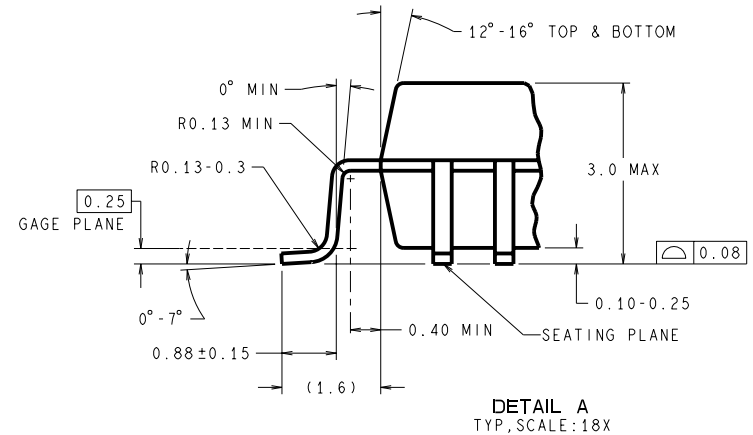
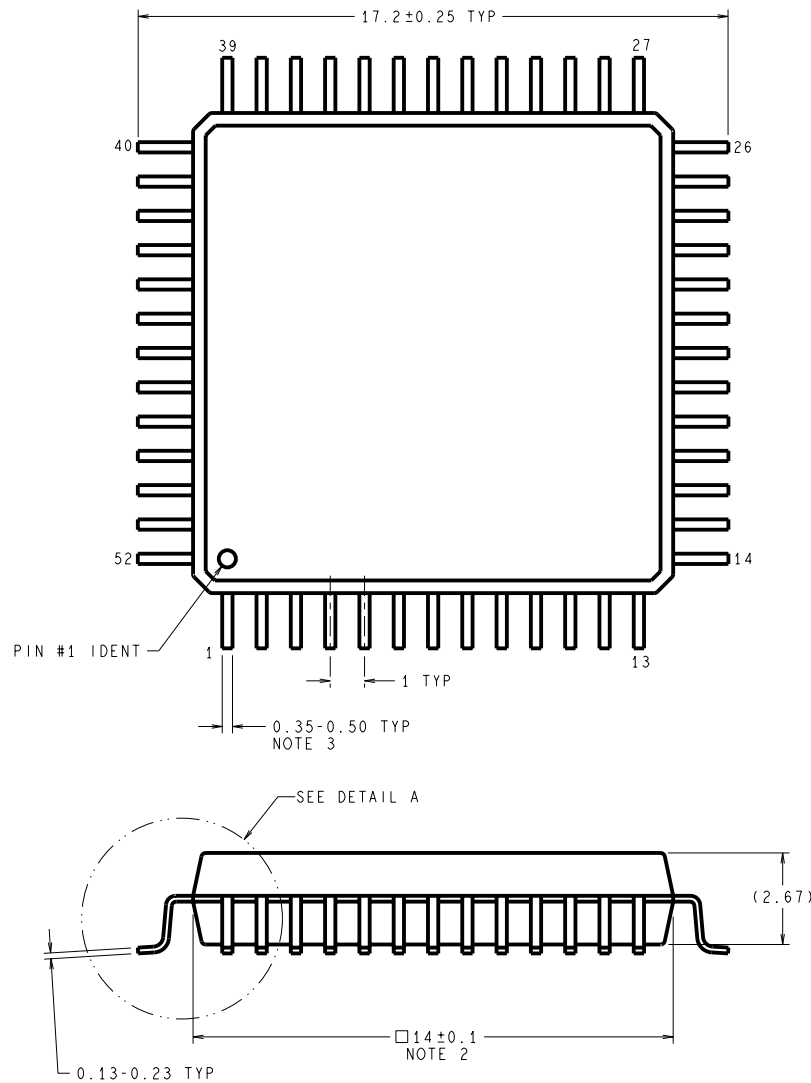


| REVISIONS |                             |        |            |          |
|-----------|-----------------------------|--------|------------|----------|
| LTR       | DESCRIPTION                 | E.C.N. | DATE       | BY/APP'D |
| A         | RELEASE TO DOCUMENT CONTROL | 11860  | 11/21/1997 | MS/      |



DIMENSIONS ARE IN MILLIMETERS

NOTES: UNLESS OTHERWISE SPECIFIED

- STANDARD LEAD FINISH:  
7.62 MICROMETERS MINIMUM SOLDER PLATING (85/15)  
THICKNESS ON ALLOY 42/COPPER.
- DIMENSION DOES NOT INCLUDE MOLD PROTRUSION.  
MAXIMUM ALLOWABLE MOLD PROTRUSION 0.25mm PER SIDE.
- DIMENSION DOES NOT INCLUDE MOLD PROTRUSION.  
ALLOWABLE DAMBAR PROTRUSION SHALL BE 0.15 mm.
- REFERENCE JEDEC STANDARD MS-022, VARIATION BD,  
DATED DEC/96.

| APPROVALS            | DATE       | National Semiconductor   |      |                |     |
|----------------------|------------|--|------|----------------|-----|
| DRAWN<br>MARTA SUCHY | 11/21/1997 | 2900 Semiconductor dr., Santa Clara, CA 95052-8090               |      |                |     |
| DTG. CHK.            |            | POFP, JEDEC METRIC,<br>14 X 14 X 2.67mm,<br>52 LEAD, 1.0mm PITCH |      |                |     |
| ENGR. CHK.           |            |  |      |                |     |
| PROJECTION           |            | SCALE  | SIZE | DRAWING NUMBER | REV |
|                      |            | N/A  | C    | (SC)MKT-VKP52A | A   |
| INCH<br>(MM)         |            | DO NOT SCALE DRAWING   |      | SHEET 1 of 1   |     |