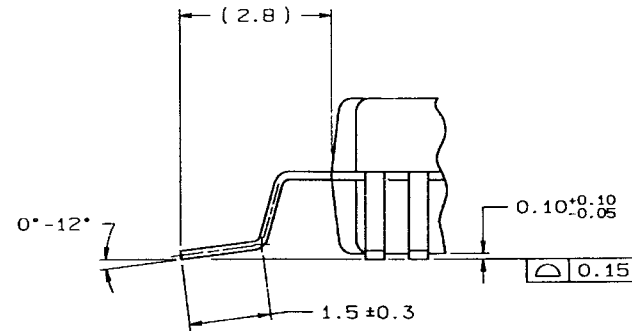
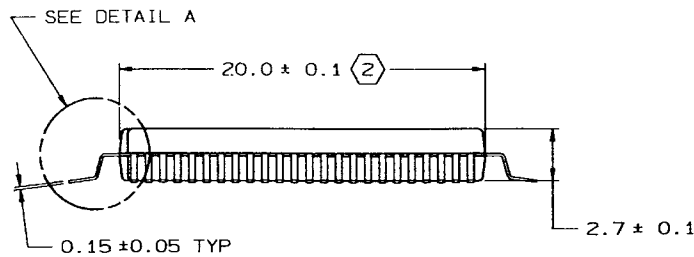
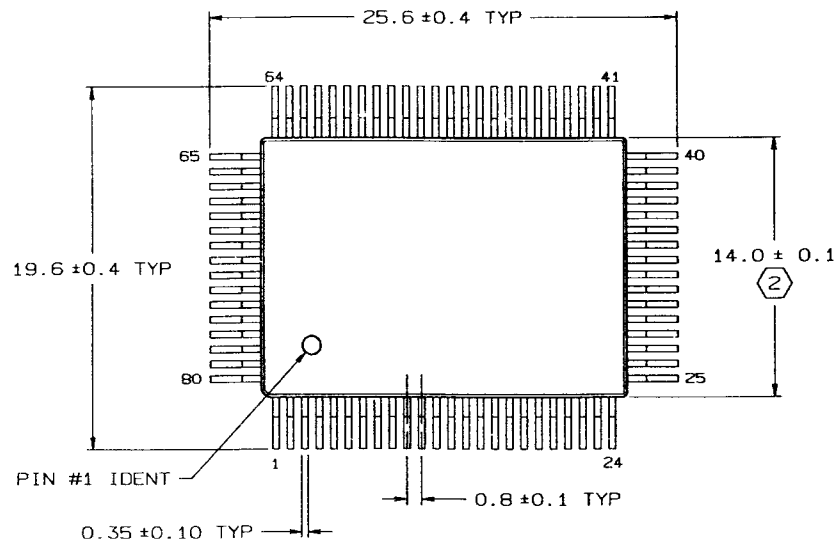


REVISIONS				
LTR	DESCRIPTION	E.C.N.	DATE	BY/APP'D
A	RELEASE TO DOCUMENT CONTROL	09642	05/05/93	KES/HJ



DETAIL A
TYPICAL

NOTES: UNLESS OTHERWISE SPECIFIED

- STANDARD LEAD FINISH:
5.08 MICROMETERS MINIMUM SOLDER THICKNESS
ON ALLOY 42/COPPER.
- DIMENSION DOES NOT INCLUDE MOLD PROTRUSION.
MAXIMUM ALLOWABLE MOLD PROTRUSION 0.25mm PER SIDE.
- REFERENCE: SEIKO EPSON QFP5-80 PIN 5.6mm LEAD
OPTION.
- NO JEDEC REGISTRATION AS OF 05-05-93.

DIMENSIONS ARE IN MILLIMETERS				
APPROVALS	DATE	NATIONAL SEMICONDUCTOR CORPORATION		
DRAWN <i>Paul Simard</i>	05/05/93	2900 Semiconductor Drive, Santa Clara, CA 95052-8090		
DRG. CHK. <i>Walter Vukobratovic</i>	05/06/93	PQFP (S), 14 X 20 X 2.7 mm, 80 LEAD, 5.6mm LD LENGTH		
ENGR. CHK. <i>F. J. Kim</i>	5/6/93			
APPROVAL		SCALE	SIZE	DRAWING NUMBER
		N/A	C	MKT-VLG80A
PROJECTION		DO NOT SCALE DRAWING		REV
		SHEET 1 OF 1		A