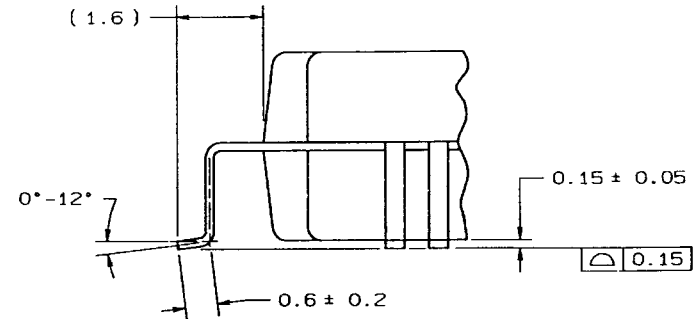
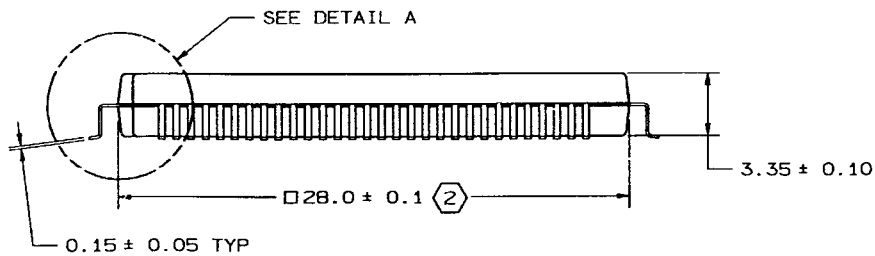
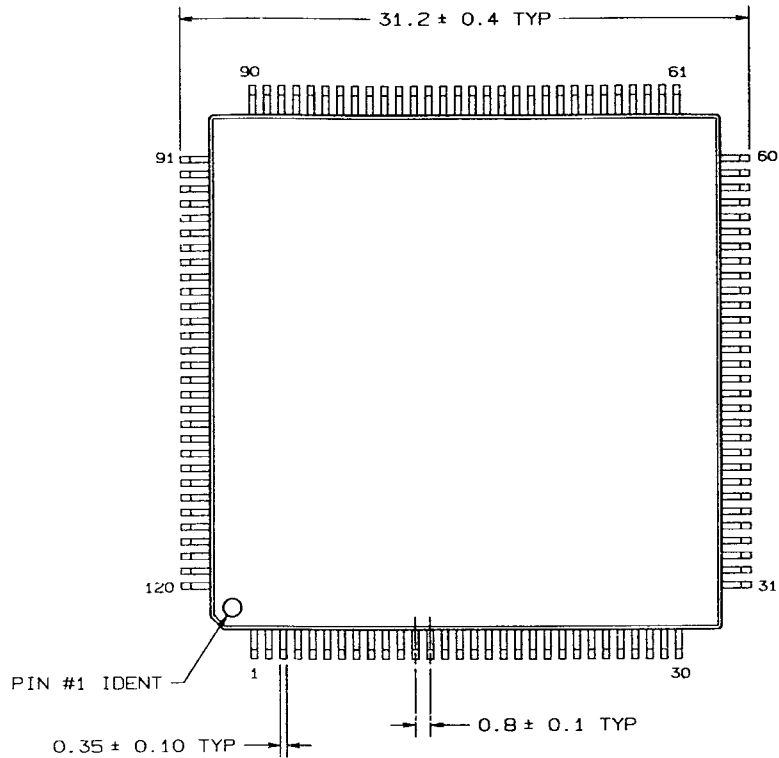


REVISIONS				
LTR	DESCRIPTION	E.C.N.	DATE	BY/APP'D
A	RELEASE TO DOCUMENT CONTROL	09289	08/24/92	MS/MT



NOTES: UNLESS OTHERWISE SPECIFIED

1. STANDARD LEAD FINISH:  
5.08 MICROMETERS MINIMUM PER SIDE SOLDER THICKNESS  
ON ALLOY 42 OR COPPER.

(2) DIMENSION DOES NOT INCLUDE MOLD PROTRUSION.  
MAXIMUM ALLOWABLE MOLD PROTRUSION 0.25mm PER SIDE.

3. REFERENCE SEIKO EPSON QFPB-120 PIN, REV 4.

**DIMENSIONS ARE IN MILLIMETERS**

APPROVALS	DATE	NATIONAL SEMICONDUCTOR CORPORATION			
DRAWN MARTA SUCHY	08/24/92	2900 Semiconductor Drive, Santa Clara, CA 95052-8090			
DETL. CHK. <i>[Signature]</i>	8/25/92	PQFP, (S), 28 X 28 X 3.35 mm, 120 LEAD			
ENGR. CHK. H. S. Kim	8/28/92				
APPROVAL		SCALE N/A	SIZE C	DRAWING NUMBER MKT-VQZ120A	REV A
PROJECTION 		DO NOT SCALE DRAWING		SHEET 1 OF 1	